

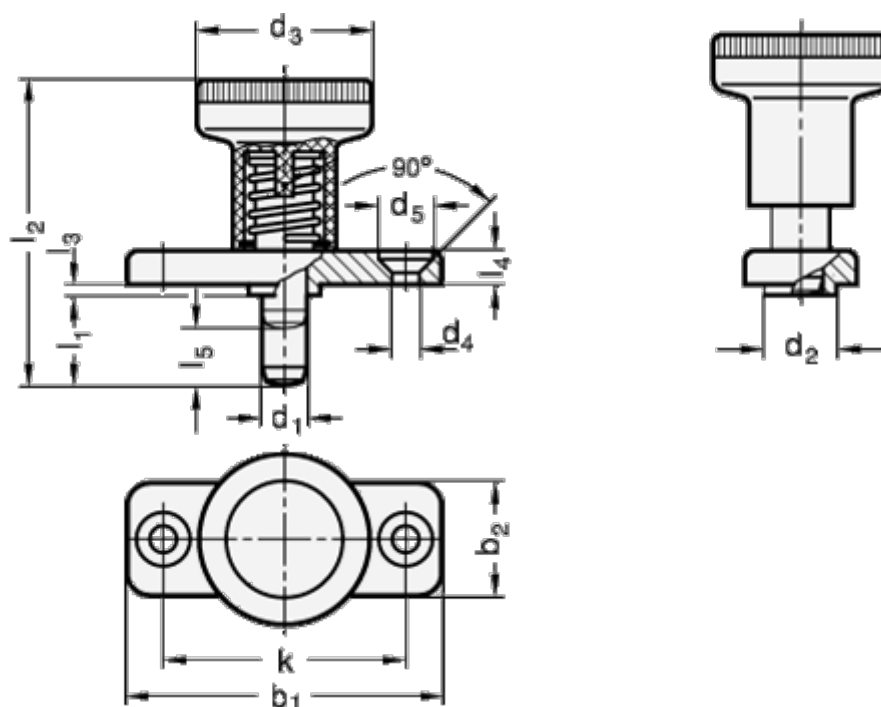
Data Sheet



Article number: 20608688

Description: E+G
Indexing plunger GN 608.6-8-8

Measures



| | | |
|-----------------------------|--------------------------|--------|
| Axial load capacity N = 500 | k | = 34 |
| b1 = 46 | l1 | = 8 |
| b2 = 20 | l2 | = 44 |
| d1 -0.02/-0.04 = 8 | l3 | = 2.5 |
| d2 -0.02/-0.1 = 12 | l4 | = 5.5 |
| d3 = 31 | l5 | = 8 |
| d4 = 5.3 | Spring pressure N bottom | = 28 |
| d5 = 10.4 | Spring pressure N top | = 15.5 |